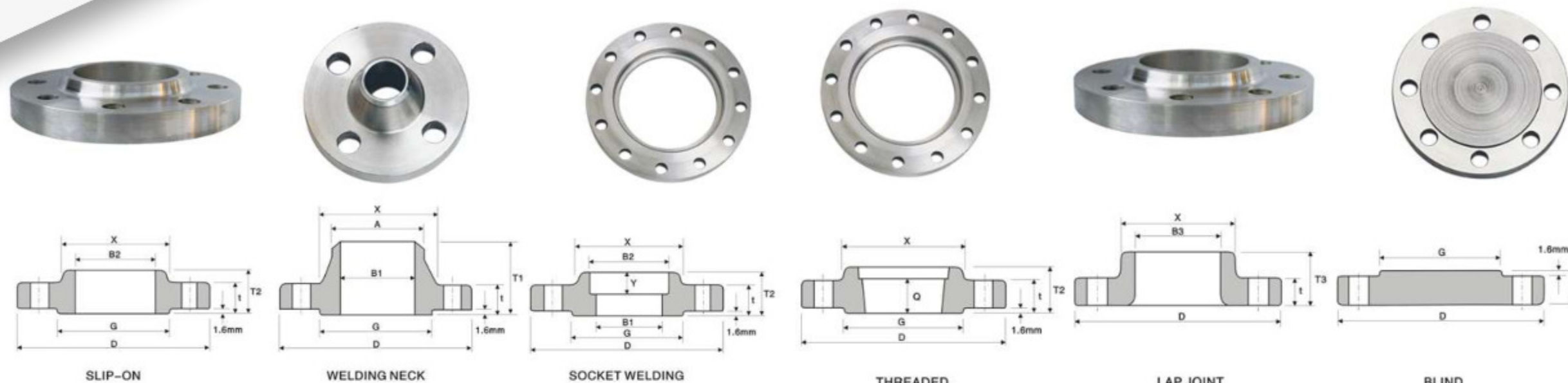




FICHA TECNICA | BRIDAS EN ACERO INOXIDABLE

ACEROS ROSCADOS

ASME B16.5-2009



size	outside diam D	OD of RF G	big neck X	thick ness t	inside diam			high			small neck A	LJ R	thread length Q	size	deep socket Y	drilling		bolting			approximate weight						
					WN B1	SO/SW B2	LJ B3	WN T1	SO/TH/SW T2	LJ T3						number holes	holes diam	bolts inch	Bolt/L RF	stub bole length RF	RJ	WN kg	SO/TH kg	LJ kg	BL kg	SW kg	
1/2"	90	34.9	30	11.2	15.8	22.2	22.9	47.8	15.7	22.9	21.3	3	16	1/2"	10	60.3	4	15.9	1/2	50.8	57.2	-	0.91	0.45	0.45	0.91	0.91
3/4"	100	42.9	38	12.8	20.9	27.7	28.2	52.3	15.7	28.2	26.7	3	16	3/4"	11	69.9	4	15.9	1/2	50.8	63.5	-	0.91	0.68	0.68	0.91	0.91
1"	110	50.8	49	14.3	26.6	34.5	34.9	55.6	17.5	34.9	33.4	3	17	1"	13	79.4	4	15.9	1/2	57.2	63.5	76.2	1.14	0.91	0.91	0.91	0.91
1 1/4"	115	63.5	59	15.9	35.1	43.2	43.7	57.2	20.6	43.7	42.2	5	21	1 1/4"	14	88.9	4	15.9	1/2	57.2	69.9	82.6	1.14	1.14	1.14	1.36	1.36
1 1/2"	125	73	65	17.5	40.9	49.5	50	62	22.4	50	48.3	6	22	1 1/2"	16	98.4	4	15.9	1/2	63.5	69.9	82.6	1.81	1.36	1.36	1.36	1.36
2"	150	92.1	78	19.1	52.5	61.9	62.5	63.5	25.4	62.5	60.3	8	25	2"	17	120.7	4	19.1	5/8	69.9	82.6	95.3	2.72	2.18	2.27	1.82	2.27
2 1/2"	180	104.8	90	22.3	62.7	74.6	75.4	69.9	28.4	75.4	73	8	29	2 1/2"	19	139.7	4	19.1	5/8	76.2	88.9	101.6	4.54	3.45	3.63	3.18	3.18
3"	190	127	108	23.9	77.9	90.7	91.4	69.9	30.2	91.4	88.9	10	30	3"	21	152.4	4	19.1	5/8	76.2	88.9	101.6	5.22	4.01	4.09	4.09	3.63
3 1/2"	215	139.7	122	23.9	90.1	103.4	104.1	71.4	31.8	104.1	101.6	10	32	3 1/2"	22	177.8	8	19.1	5/8	76.2	88.9	101.6	5.5	5	4.99	5.9	-
4"	230	157.2	135	23.9	102.3	116.1	116.8	76.2	33.3	116.8	114.3	11	33	4"	24	190.5	8	19.1	5/8	76.2	88.9	101.6	7.49	5.63	5.45	7.72	-
5"	255	185.7	164	23.9	128.2	143.8	144.4	88.9	36.3	144.4	141.3	11	36	5"	24	215.9	8	22.2	3/4	82.6	95.3	108	9.53	6.74	5.9	9.08	-
6"	280	215.9	192	25.5	154.1	170.7	171.4	88.9	39.6	171.4	168.3	13	40	6"	27	241.3	8	22.2	3/4	82.6	101.6	114.3	11.8	7.9	8.17	12.26	-
8"	345	269.9	246	28.6	202.7	221.5	222.2	101.6	44.5	222.2	219.1	13	44	8"	32	298.5	8	22.2	3/4	88.9	108	120.7	19.07	12.9	12.71	21.34	-
10"	405	323.8	305	30.2	254.6	276.2	277.4	101.6	49.3	277.4	273	13	49	10"	33	362	12	25.4	7/8	101.6	114.3	127	24.52	17.6	16.34	30.42	-
12"	485	381	365	31.8	304.8	327	328.2	114.4	55.6	328.2	323.8	13	56	12"	40	431.8	12	25.4	7/8	101.6	120.7	133.4	39.95	27.69	27.24	45	-
14"	535	412.8	400	35	336.6	359.2	360.2	127	57.2	360.2	355.6	13	57	14"	41	476.3	12	28.6	1	114.3	133.4	146.1	51.76	37.68	34.96	63.11	-
16"	595	469.9	457	36.6	387.1	410.5	411.2	127	63.5	411.2	406.4	13	64	16"	45	539.8	16	28.6	1	114.3	133.4	146.1	64.47	48.12	47.22	84.9	-
18"	635	533.4	505	39.7	438.2	461.8	462.3	139.7	68.3	462.3	457	13	68	18"	49	577.9	16	31.8	1 1/8	127	146.1	158.8	74.9	49.49	66.28	98.52	-
20"	700	584.2	559	42.9	489	513.1	514.4	144.5	73.2	514.4	508	13	73	20"	54	635	20	31.8	1 1/8	139.7	158.8	171.5	89.44	67.19	72.19	128.48	-
24"	815	692.2	663	47.7	590.6	616	616	152.4	82.6	616	610	13	83	24"	64	749.3	20	34.9	1 1/4	152.4	171.5	184.2	121.67	92.62	88.53	188.41	-