



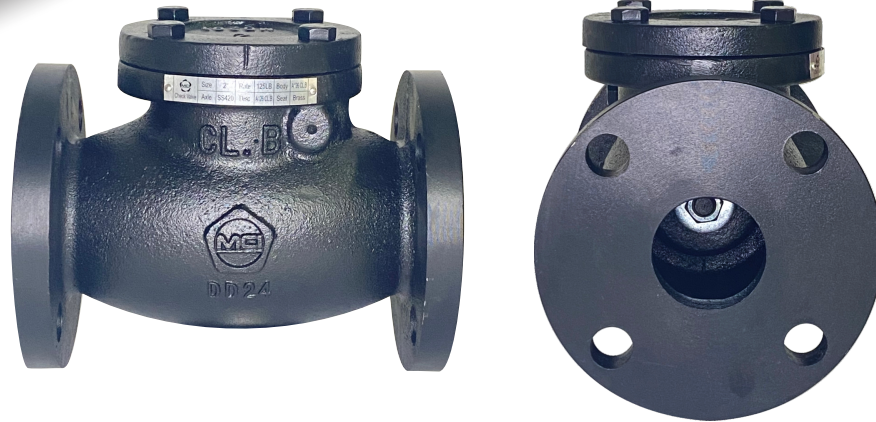
ACEROS ROSCADOS

VALVE

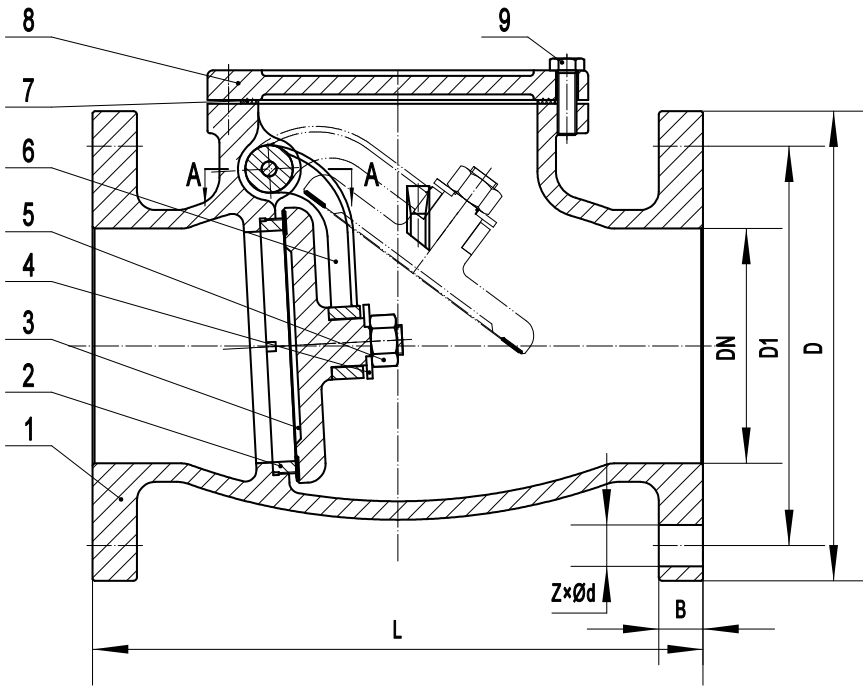
CHECK BRIDADA TIPO COLUMPIO CON ASIENTO DE BRONCE 125#

TECHNICAL REQUIREMENTS

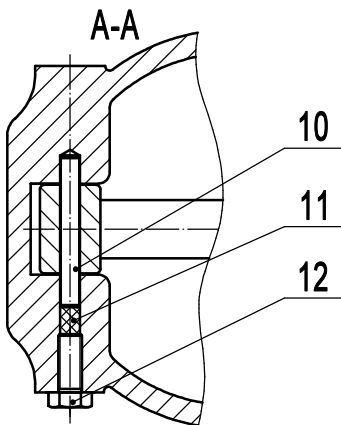
1. FACE TO FACE ACCORDING TO :ASME B16.10;
2. PRESSURE TEST ACCORDING TO MSS SP-71;
3. FLANGE DRILLING ACCORDING TO ASME/ANSI B16.1 .



CLASS		125LB
SIZE		2" ~12"
TEST PRESSURE MPa(Psi)	STRENGTH(WATER)	2.41 (350)
	SEAL(WATER)	1.38 (200)
	SEAL(WATER)	0.6 (80)



12	BOLT	Carbon Steel
11	RUBBER GASKET	NBR
10	STEM	2Cr13
9	BOLT	Carbon Steel
8	BONNET	A126 Class B
7	BONNET GASKET	Graphite
6	HINGE	A126 Class B
5	NUT M16	Carbon Steel
4	PLATE	STEEL
3	DISC	A126 Class B
2	BODY SEAL RING	Brass
1	BODY	A126 Class B
NO.	PART	MATERIAL



SIZE	ITEM	DN	D1	D	L ₀ ^{+1.52}	B ₀ ^{+2.03}	ZxØd
2"		Ø50.8	Ø120.65	Ø152.4	203.2	16	4xØ19.1
2.5"		Ø63.5	Ø139.7	Ø177.8	215.9	17.53	4xØ19.1
3"		Ø76.2	Ø152.4	Ø190.5	241.3	19.05	4xØ19.1
4"		Ø101.6	Ø190.5	Ø228.6	292.1	23.9	8xØ19.1
5"		Ø127	Ø215.9	Ø254	330.2	24	8xØ22.4
6"		Ø152.4	Ø241.3	Ø279.4	355.6	25.5	8xØ22.4
8"		Ø203.2	Ø298.45	Ø342.9	495.3	28.5	8xØ22.4
10"		Ø254	Ø361.95	Ø406.4	622.3	30.16	12xØ25.4
12"		Ø304.8	Ø431.8	Ø482.6	698.5	31.75	12xØ25.4



SUCURSAL
CIUDAD DE MÉXICO
(55) 5715 0712
(55) 5714 276

MATRÍZ
MONTERREY NUEVO LEÓN
(81) 8239 0074 / (81) 8239 0075
(81) 8212 0225 / (81) 8212 0226
☎(81) 3448 7300 / ☎(81) 3449 8656

SUCURSAL
GUADALAJARA JALISCO
(33) 3619 2880
(33) 3650 3319