

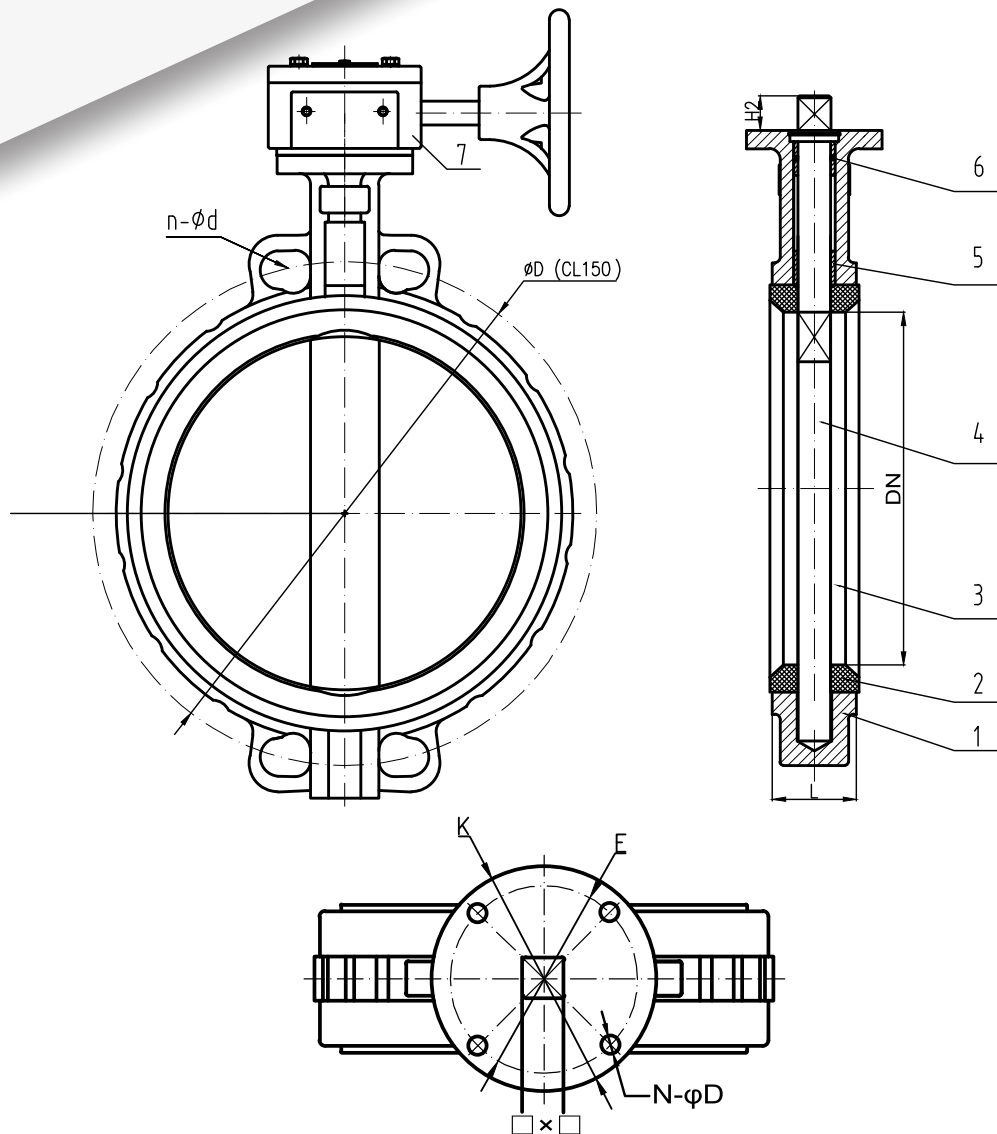


ACEROS ROSCADOS

VÁLVULA

MARIPOSA

TIPO WAFER



7	WORM GEAR	DI	TEST PRESSURE		SHEEL	SEAL
6	O-RING	EPDM		HYD	2.4 Mpa	1.76 Mpa
5	BUSHING	FRP		AIR		
4	STEM	SS410	STAND ARD	DESIGN CODE		API609
3	DISC	SS316		INSPECTION&TEST		API598
2	SEAT	EPDM		END STANDARD		ASME B 16.5 150LB
1	BODY	DI		FACE TO FACE		API609
No.	Name	Material				

DN	L	H2	K	E	□×□	N-φD	ISO 5211	ANSI150	
								φD	n-φd
200	60	17	φ125	φ102	17×17	4-φ12	F10	298.5	8-22
250	66	22	φ125	φ102	22×22	4-φ12	F10	362	12-25
300	76	22	φ125	φ102	22×22	4-φ12	F10	432	12-25
350	76	22	φ125	φ102	22×22	4-φ12	F10	476	12-29
400	101	27	φ175	φ140	27×27	4-φ18	F14	539.5	16-29
450	112	27	φ175	φ140	27×27	4-φ18	F14	578	16-32
500	125	32	φ175	φ140	32×32	4-φ18	F14	635	20-32
600	152	36	φ210	φ165	36×36	4-φ22	F16	749.5	20-35



SUCURSAL
CIUDAD DE MÉXICO
(55) 5715 0712
(55) 5714 276

MATRÍZ
MONTERREY NUEVO LEÓN
(81) 8239 0074 / (81) 8239 0075
(81) 8212 0225 / (81) 8212 0226
☎(81) 3448 7300/☎(81) 3449 8656

SUCURSAL
GUADALAJARA JALISCO
(33) 3619 2880
(33) 3650 3319