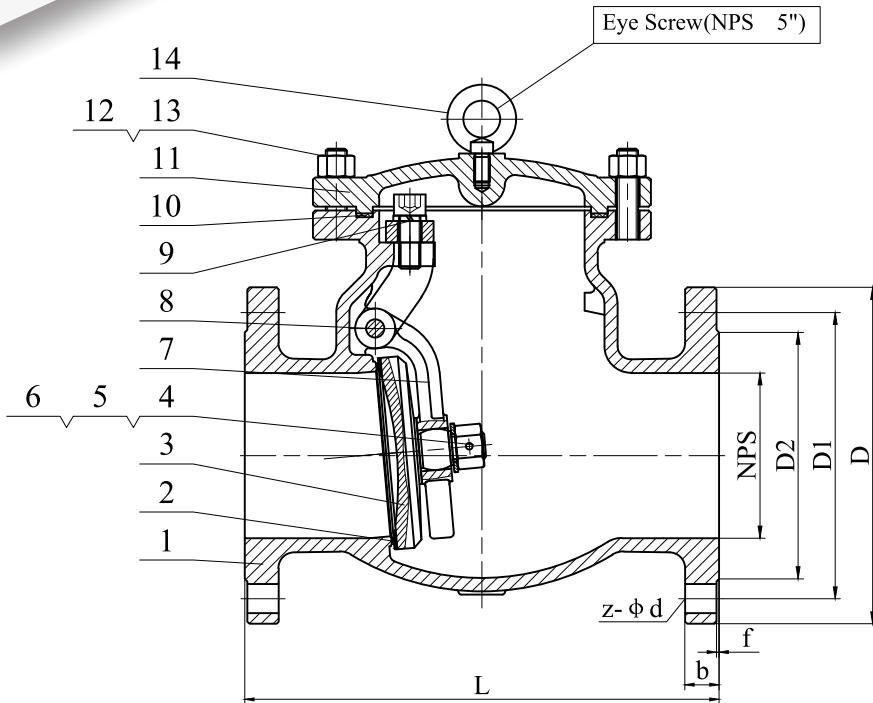




ACEROS ROSCADOS

VALVE

CHECK BRIDADA TIPO COLUMPIO CON ASIENTO INOXIDABLE CF8 (304) - 150#



Standards:

- 1 Design and manufacture: BS 1868
- 2 Face to Face dimension: ASME B16.10
- 3 Flanged End: ASME B16.5 RF
- 4 Pressure temperature ratings: ASME B16.34
- 5 Pressure test: API 598

Class: 150LB
Type: H44W

Performance Specification		
No. minal Pressure	Class 150Lb	Test Medium
Shell Test	3.0MPa	Water
Seal Test	2.2MPa	
Air Seal Test	0.6MPa	Air
Suitable Temperature	-20~150	
Suitable Media	Water/Steam/Oil	

NPS	L	D	D1	D2	b	z-φd	f
2"	203	φ 150	φ 121	φ 92	16.5	4-φ 19	2
2 1/2"	216	φ 180	φ 140	φ 105	18	4-φ 19	2
3"	241	φ 190	φ 152.5	φ 127	19.5	4-φ 19	2
4"	292	φ 230	φ 190.5	φ 157	24.5	8-φ 19	2
6"	356	φ 280	φ 241.5	φ 216	26	8-φ 22	2
8"	495	φ 345	φ 298.5	φ 270	29	8-φ 22	2

14	Eye Screw	S.S
13	Nut	ASTM A194-8
12	Stud	ASTM A193-B8
11	Bonnet	ASTM A351 CF8
10	GasKet	PTFE
9	Bolt	ASTM A193-B8
8	Hinge Pin	SS304
7	Hinge	ASTM A351 CF8
6	GasKet	SS304
5	Nut	ASTM A194-8
4	Pin	SS304
3	Disc	ASTM A351 CF8
2	Seat ring	ASTM A351 CF8
1	Body	ASTM A351 CF8
No.	Parts	Material



SUCURSAL
CIUDAD DE MÉXICO
(55) 5715 0712
(55) 5714 276

MATRÍZ
MONTERREY NUEVO LEÓN
(81) 8239 0074 / (81) 8239 0075
(81) 8212 0225 / (81) 8212 0226
☎(81) 3448 7300 / ☎(81) 3449 8656

SUCURSAL
GUADALAJARA JALISCO
(33) 3619 2880
(33) 3650 3319