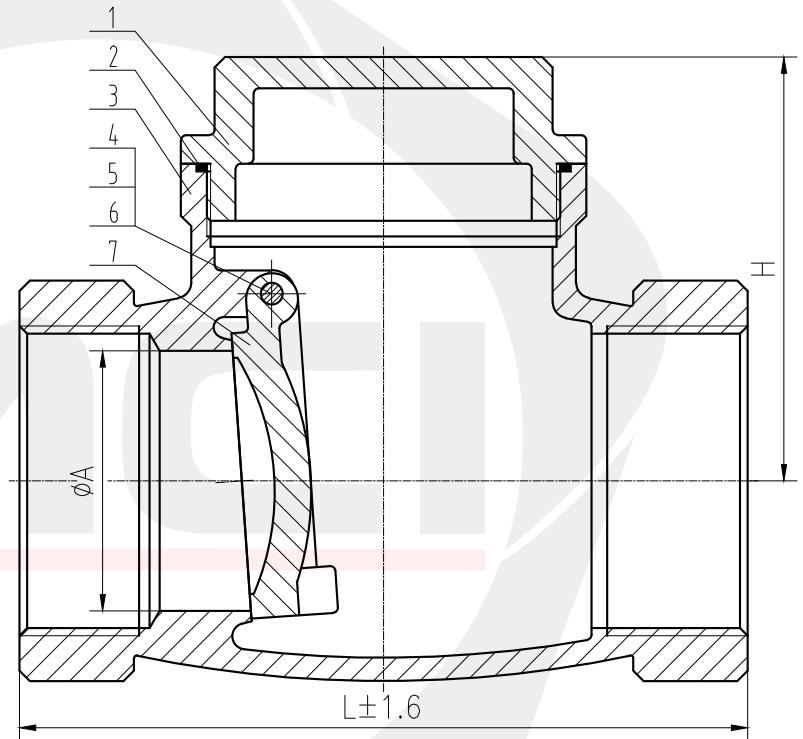




- Rosca Hembra NPT
- Cuerpo Inoxidable CF8M
- 200 LBS WOG (PSI) DE 1/2" A 3" Pulg.

Main Technical Parameter		
Nominal pressure	200psi	
Test pressure	Shell test Pressure	2.1
	Tightness test	1.6
	Gas-Tightness test	0.4~0.7
Max working temperature	-29~150°C	
Applicable medium: water, gas, oil		



MAIN PARTS AND MATERIALS

NO.	PART NAME	MATERIAL
1	Bonnet	CF8M
2	Seal ring	PTFE
3	Body	CF8M
4	Pin	stainless steel
5	Nut	stainless steel
6	Seal ring	PTFE
7	Disc	CF8M

CONFIGURATION DIMENSION

NPS	1/2"	3/4"	1"	1 1/4"	1 1/2"	2"	2 1/2"	3"
A	15	20	25	31	37	47	62	74
L	64	78	88	101	117	134	163	190
H	40	45	50	58	64	72	90	107