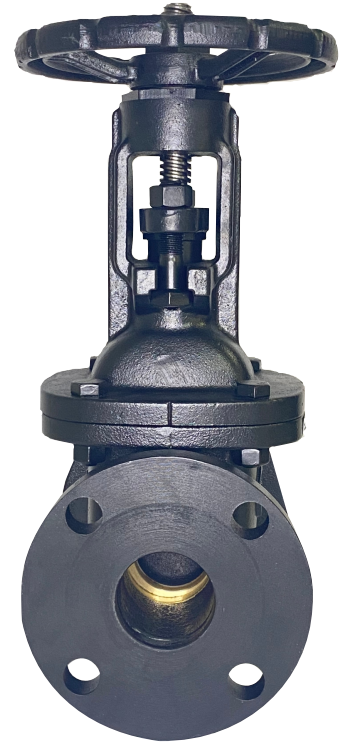
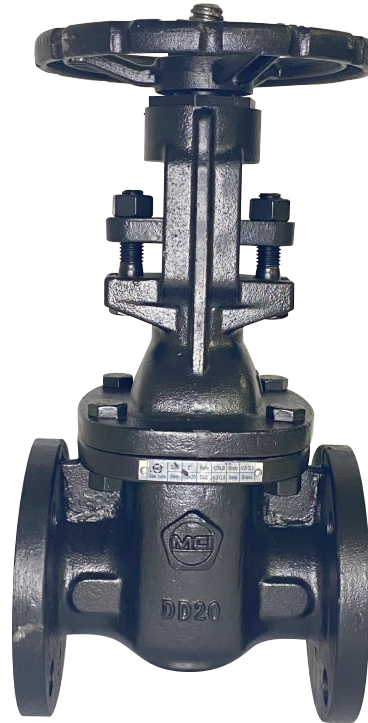
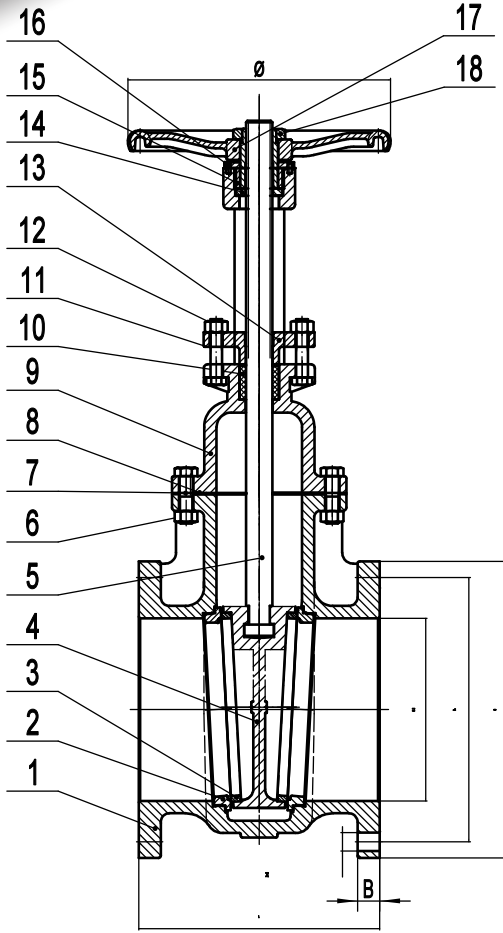




ACEROS ROSCADOS

VALVE

COMPUERTA BRIDADA  
VÁSTAGO ACENDENTE 125# - HIERRO  
INTERIOR BRONCE



TECHNICAL REQUIREMENT

1. PRESSURE TEST ACCORDING TO MSS SP-70;
2. FACE TO FACE ACCORDING TO ANSI B16.10.
3. FLANGE ACCORDING TO ANSI B16.1.

SPECIFICATION

DN	2-12"	
NOMINAL PRESSURE	125Lb	
SUITABLE TEMP <sup>o</sup> C	≤200	
TEST PRESSURE MPa	SEAL(WATER)	1.41
	STRENGTH (WATER)	2.46
	BACK SEAL	WITHOUT
SUITABLE MEDIUM	WATER, STEAM	

SIZE	DN	L	D	D <sub>1</sub>	B	ZxØ	Ø
2"	50	178 <sup>+1.5</sup>	152	120.5	15.9	4xØ19	180
2.5"	65	190 <sup>+1.5</sup>	178	139.5	17.5	4xØ19	180
3"	80	203 <sup>+1.5</sup>	191	152.5	19.1	4xØ19	180
4"	100	229 <sup>+1.5</sup>	229	190.5	23.9	8xØ19	250
5"	125	254 <sup>+1.5</sup>	254	216	23.9	8xØ22	250
6"	150	267 <sup>+1.5</sup>	279	241.5	25.4	8xØ22	270
8"	200	292 <sup>+1.5</sup>	343	298.5	28.6	8xØ22	360
10"	250	330±2	406	362	30.2	12xØ25	360
12"	300	356±2	483	432	31.8	12xØ25	450

18	HANDWHEEL NUT	Carbon Steel
17	HANDWHEEL	A126 Class B
16	SLOTTED FLAT END SET SCREW	Carbon Steel
15	BONNET NUT	A126 Class B
14	STEM NUT	ASTM B62
13	GLAND	A536
12	NUT	Carbon Steel
11	BOLT	Carbon Steel
10	PACKING	Graphite
9	BONNET	A126 Class B
8	GASKET	08#STEEL+FLEXIBLE GRAPHITE
7	BOLT	Carbon Steel
6	NUT	Carbon Steel
5	STEM	2Cr13
4	DISC	A126 Class B
3	DISC SEAL RING	Brass
2	BODY SEAL RING	Brass
1	BODY	A126 Class B
NO	NAME	MATERIAL



SUCURSAL  
CIUDAD DE MÉXICO  
(55) 5715 0712  
(55) 5714 276

MATRÍZ  
MONTERREY NUEVO LEÓN  
(81) 8239 0074 / (81) 8239 0075  
(81) 8212 0225 / (81) 8212 0226  
☎(81) 3448 7300 / ☎(81) 3449 8656

SUCURSAL  
GUADALAJARA JALISCO  
(33) 3619 2880  
(33) 3650 3319