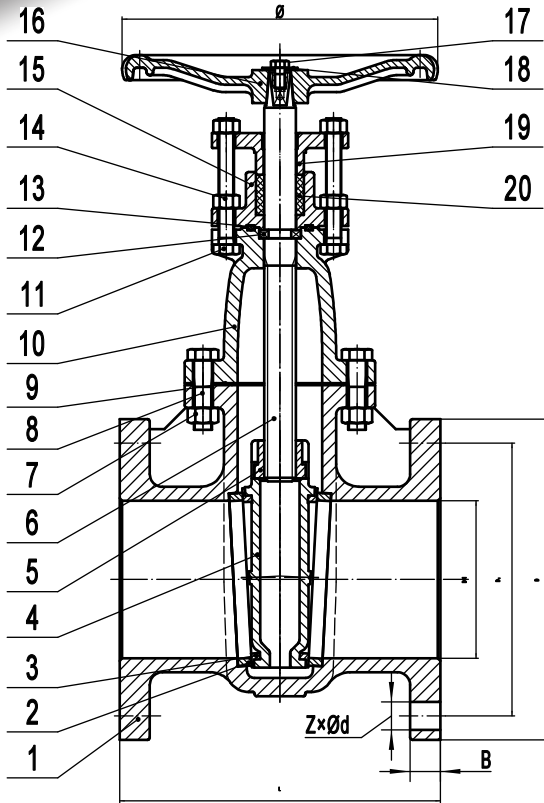




ACEROS ROSCADOS

# VALVE

# COMPUERTA BRIDADA VÁSTAGO FIJO 125# - HIERRO INTERIOR BRONCE



## TECHNICAL REQUIREMENT

- 1.PRESSURE ACCORDING TO MSS SP-70;
- 2.FACE TO FACE ACCORDING TO ANSI B16.10,  
FLANGE ACCORDING TO ANSI B16.1.

## SPECIFICATION

DN	2-12"	
NOMINAL PRESSURE	125Lb	
SUITABLE TEMP °C	≤100	
PRESSURE TEST MPa	SEAL(WATER)	1.41
	STRENGTH(WATER)	2.46
	BACK SEAL	WITHOUT
SUITABLE MEDIUM	WATER, STEAM	

SIZE	DN	L	D	D <sub>1</sub>	B	Z x Ød	Ø
2"	50	178 <sup>+1.5</sup>	152	120.5	15.9	4 x Ø19	180
2.5"	65	190 <sup>+1.5</sup>	178	139.5	17.5	4 x Ø19	180
3"	80	203 <sup>+1.5</sup>	191	152.5	19.1	4 x Ø19	180
4"	100	229 <sup>+1.5</sup>	229	190.5	23.9	8 x Ø19	250
5"	125	254 <sup>+1.5</sup>	254	216	23.9	8 x Ø22	250
6"	150	267 <sup>+1.5</sup>	279	241.5	25.4	8 x Ø22	300
8"	200	292 <sup>+1.5</sup>	343	298.5	28.6	8 x Ø22	360
10"	250	330 ± 2	406	362	30.2	12 x Ø25	400
12"	300	356 ± 2	483	432	31.8	12 x Ø25	400

20	PACKING	Graphite
19	GLAND	A536
18	GASKET	Q235 STEEL
17	BOLT	CarboN Steel
16	HANDWHEEL	A126 Class B
15	GLAND BOX	A536
14	NUT	Carbon Steel
13	O TYPE RUBBER RIN	NBR
12	HALF RING	Q235 STEEL
11	BOLT	Carbon Steel
10	BONNET	A126 Class B
9	GASKET	Graphite
8	BOLT	Carbon Steel
7	NUT	Carbon Steel
6	STEM	2Cr13
5	STEM NUT	ASTM B62
4	DISC	A126 Class B
3	DISC SEAL RING	Brass
2	BODY SEAL RING	Brass
1	BODY	A126 Class B
NO.	NAME	MATERIAL



**SUCURSAL**  
CIUDAD DE MÉXICO  
(55) 5715 0712  
(55) 5714 276

**MATRÍZ**  
MONTERREY NUEVO LEÓN  
(81) 8239 0074 / (81) 8239 0075  
(81) 8212 0225 / (81) 8212 0226  
☎(81) 3448 7300 / ☎(81) 3449 8656

**SUCURSAL**  
GUADALAJARA JALISCO  
(33) 3619 2880  
(33) 3650 3319