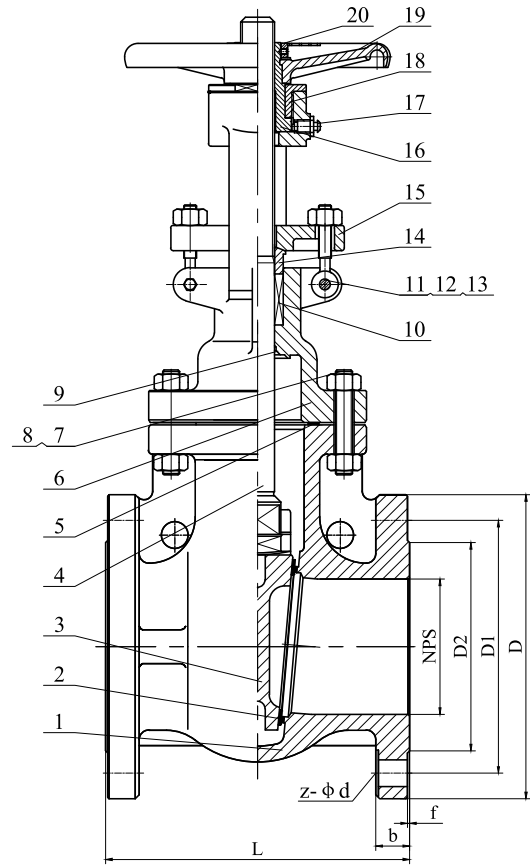
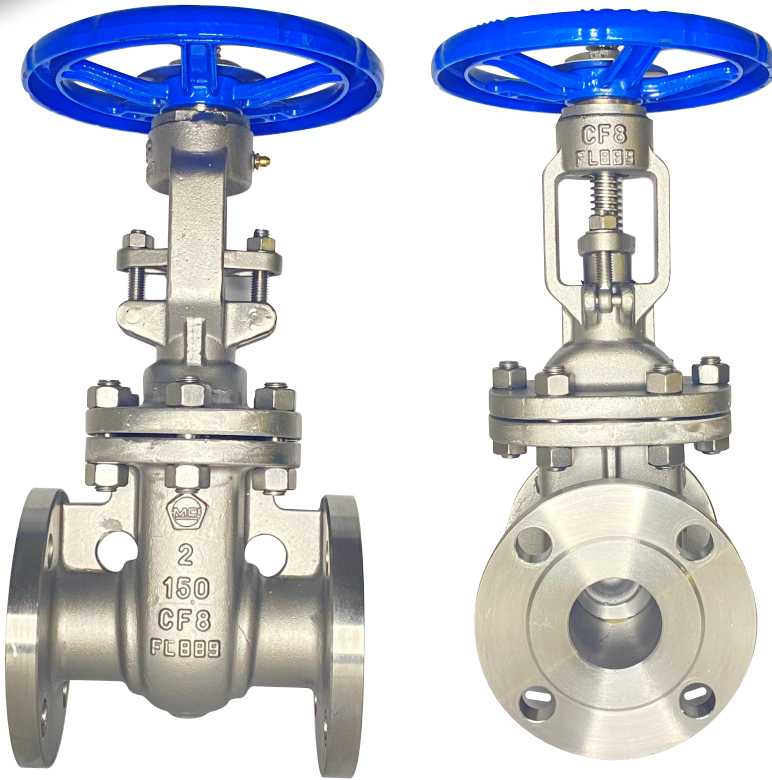




ACEROS ROSCADOS

VALVE

COMPUERTA BRIDADA INOXIDABLE (CF8) - 150#



Standards:

- 1 Design and manufacture: API 600
- 2 Face to Face dimension: ASME B16.10
- 3 Flanged End: ASME B16.5 RF
- 4 Pressure temperature ratings: ASME B16.34
- 5 Pressure test: API 598

Class: 150LB
Type: Z40W

Performance Specification		
No. minal Pressure	Class 150Lb	Test Medium
Shell Test	3.0MPa	Water
Seal Test	2.2MPa	
Back Seal Test	2.2MPa	
Air Seal Test	0.6MPa	Air
Suitable Temperature	-20~150	
Suitable Media	Water/Steam/Oil	

NPS	L	D	D1	D2	b	z-φd	f
2"	178	φ 150	φ 121	φ 92	16.5	4-φ 19	2
2 1/2"	190	φ 180	φ 140	φ 105	18	4-φ 19	2
3"	203	φ 190	φ 152.5	φ 127	19.5	4-φ 19	2
4"	229	φ 230	φ 190.5	φ 157	24.5	8-φ 19	2
6"	267	φ 280	φ 241.5	φ 216	26	8-φ 22	2
8"	292	φ 345	φ 298.5	φ 270	29	8-φ 22	2

20	H.W. Lock nut	S.S
19	Handwheel	ASTM A47
18	Retaining nut	S.S
17	Lubricator	Cu
16	Stem nut	Cu
15	Gland	ASTM A351 CF8
14	Bushing	S.S
13	Gland Nut	ASTM A194-8
12	Gland bolt	ASTM A193-B8
11	Pin	S.S
10	PacKing	PTFE
9	Backseat	ASTM A351 CF8
8	Nut	ASTM A194-8
7	Stud	ASTM A193-B8
6	Bonnet	ASTM A351 CF8
5	GasKet	PTFE
4	Stem	ASTM A182 F304
3	Wedge	ASTM A351 CF8
2	Seat ring	ASTM A351 CF8
1	Body	ASTM A351 CF8
No.	Parts	Material



SUCURSAL
CIUDAD DE MÉXICO
(55) 5715 0712
(55) 5714 276

MATRÍZ
MONTERREY NUEVO LEÓN
(81) 8239 0074 / (81) 8239 0075
(81) 8212 0225 / (81) 8212 0226
☎(81) 3448 7300 / ☎(81) 3449 8656

SUCURSAL
GUADALAJARA JALISCO
(33) 3619 2880
(33) 3650 3319