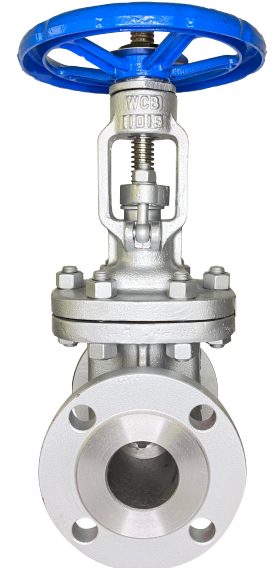
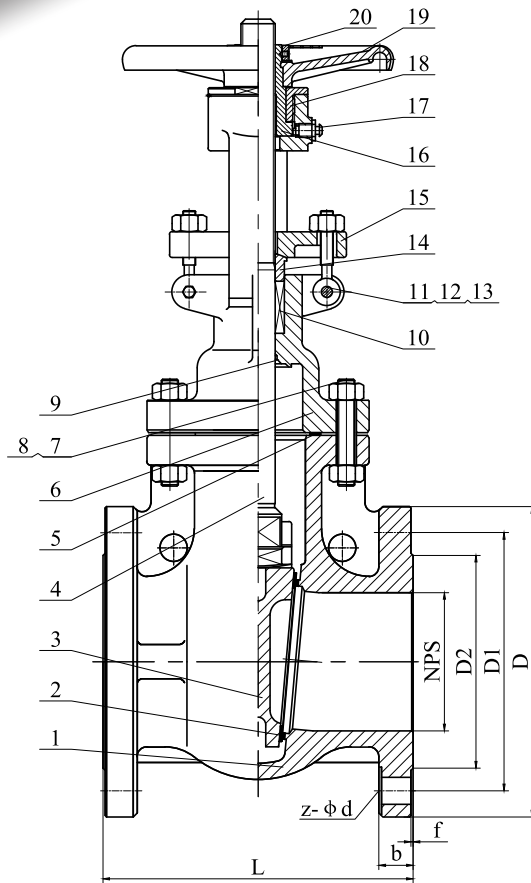




ACEROS ROSCADOS

VALVE

COMPUERTA BRIDADA  
150# - WCB A216



Standards:

- 1 Design and manufacture: API 600
- 2 Face to Face dimension: ASME B16.10
- 3 Flanged End: ASME B16.5 RF
- 4 Pressure temperature ratings: ASME B16.34
- 5 Pressure test: API 598

Class: 150LB

Type: Z40H

Performance Specification			NPS	L	D	D1	D2	b	z-φ d	f
No. nominal Pressure	Class 150Lb	Test Medium	2"	178	φ 150	φ 121	φ 92	16.5	4-φ 19	2
Shell Test	3.0MPa	Water	2 1/2"	190	φ 180	φ 140	φ 105	18	4-φ 19	2
Seal Test	2.2MPa		3"	203	φ 190	φ 152.5	φ 127	19.5	4-φ 19	2
Back Seal Test	2.2MPa		4"	229	φ 230	φ 190.5	φ 157	24.5	8-φ 19	2
Air Seal Test	0.6MPa	Air	5"	254	φ 255	φ 216	φ 186	24.5	8-φ 22	2
Suitable Temperature	-25~425		6"	267	φ 280	φ 241.5	φ 216	26	8-φ 22	2
Suitable Media	Water/Steam/Oil		8"	292	φ 345	φ 298.5	φ 270	29	8-φ 22	2

10	Packing	Graphite	20	H.W.Lock nut	C.S
9	Backseat	ASTM A216+13Cr	19	Handwheel	ASTM A47
8	Nut	ASTM A194-2H	18	Retaining nut	C.S
7	Stud	ASTM A193-B7	17	Lubricator	Cu
6	Bonnet	ASTM A216 WCB	16	Stem nut	Cu
5	GasKet	304S.S+Graphite	15	Gland	ASTM A216 WCB
4	Stem	ASTM A182 F6a	14	Bushing	ASTM A182 F6a
3	Wedge	ASTM A216+13Cr	13	Gland Nut	ASTM A194-2H
2	Seat ring	ASTM A216+13Cr	12	Gland bolt	ASTM A193-B7
1	Body	ASTM A216 WCB	11	Pin	304S.S
No.	Parts	Material	No.	Parts	Material



**SUCURSAL**  
CIUDAD DE MÉXICO  
(55) 5715 0712  
(55) 5714 276

**MATRÍZ**  
MONTERREY NUEVO LEÓN  
(81) 8239 0074 / (81) 8239 0075  
(81) 8212 0225 / (81) 8212 0226  
☎(81) 3448 7300 / ☎(81) 3449 8656

**SUCURSAL**  
GUADALAJARA JALISCO  
(33) 3619 2880  
(33) 3650 3319