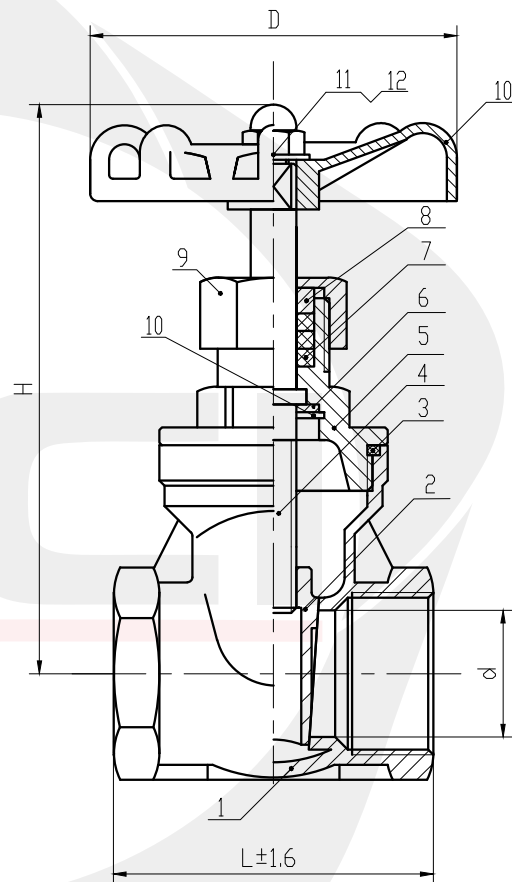




- Rosca Hembra NPT
- Cuerpo Inoxidable CF8M
- 200 LBS WOG (PSI) DE 1/2" A 2" Pulg.



MAIN PARTS AND MATERIALS

NO.	PART NAME	MATERIAL
1	Body	CF8M
2	Disc	CF8M
3	seal Ring	PTFE
4	Stem	316
5	Bonnet	CF8M
6	Thrust Gasket	PTFE
7	Packing	PTFE
8	Gland	stainless steel
9	Nut	stainless steel
10	Handwheel	HT200
11	pad	stainless steel
12	Nut	stainless steel
13	jump ring	stainless steel

CONFIGURATION DIMENSION

NPS	1/2"	3/4"	1"	1 1/4"	1 1/2"	2"
d	14.5	19	24	30	38	48
H	95	105	115	130	145	160
L	52	57	60.5	71	72.5	84