

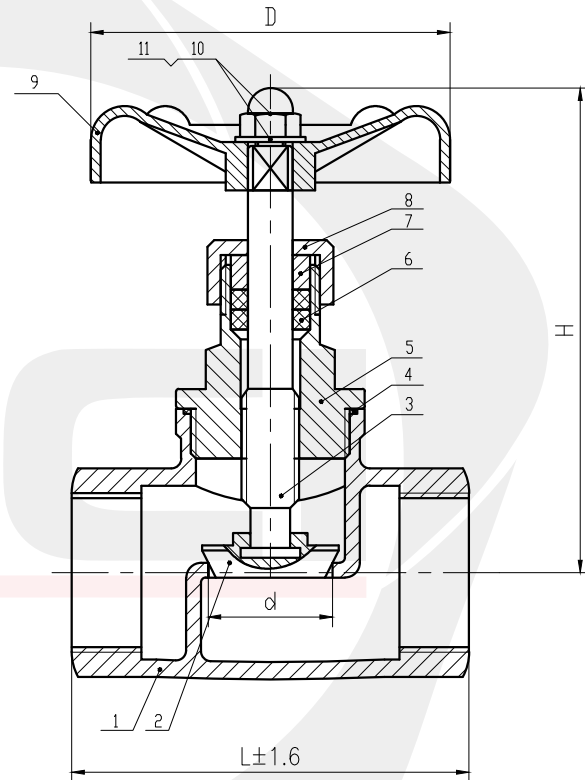
FICHA TÉCNICA | VÁLVULA GLOBO INOXIDABLE CF8M



PLOMERIA INDUSTRIAL



- Rosca Hembra NPT
- Cuerpo Inoxidable CF8M
- 200 LBS WOG (PSI) DE 1/2" A 2" Pulg.



MAIN PARTS AND MATERIALS

NO.	PART NAME	MATERIAL
1	Body	CF8M
2	Disc	CF8M
3	Stem	316
4	seal Ring	PTFE
5	Bonnet	CF8M
6	Packing	PTFE
7	Gland	stainless steel
8	Nut	stainless steel
9	Handwheel	HT200
10	pad	stainless steel
11	Nut	stainless steel

CONFIGURATION DIMENSION

NPS	1/2"	3/4"	1"	1 1/4"	1 1/2"	2"
d	15	20	25	32	40	50
H	90	95	105	125	135	145
L	59	69	79	89	104	119
D	64	64	73	76	98	98



**SUCURSAL
CIUDAD DE MÉXICO**
(55) 5715 0712
(55) 5714 276

**MATRÍZ
MONTERREY, NUEVO LEÓN**
(81) 8239 0074 / (81) 8239 0075
(81) 8212 0225 / (81) 8212 0226
☎ (81) 3448 7300 / ☎ (81) 3449 8656

**SUCURSAL
GUADALAJARA, JALISCO**
(33) 3619 2880
(33) 3650 3319