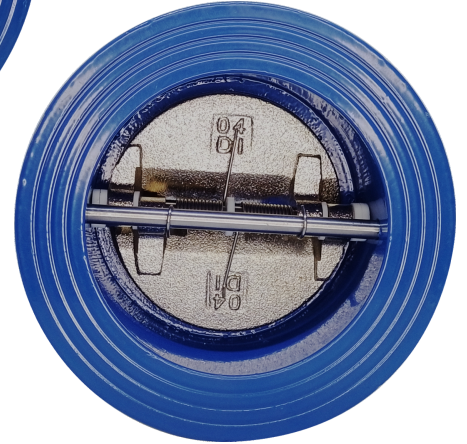




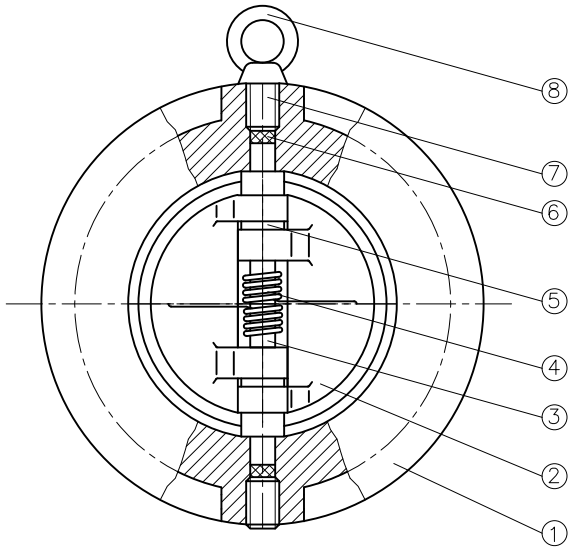
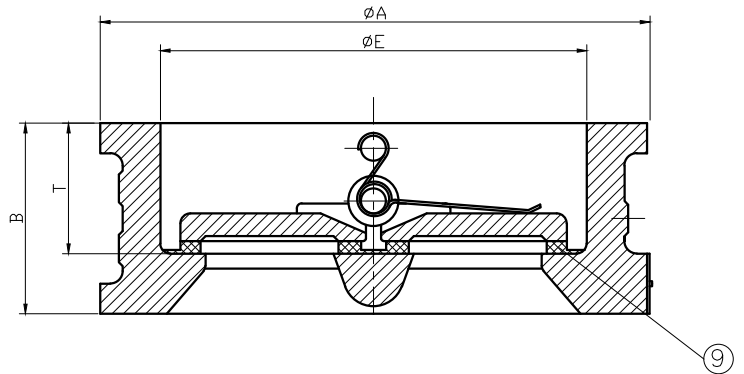
ACEROS ROSCADOS

VALVE

DUO CHECK VALVE



Size	Name	Material
1	Seat	EPDM
1	Body	GG25/GGG40
2	Disc	CF8/CF8M/DI
3	Stem	SS410/SS304/SS316
4	Spring	SS304/SS316
5	Shim	PTFE
6	Rubber Strip	NBR
7	Plug	4.8
8	Ring	WCB
9	Seat	EPDM



DN	B	ØA	ØE	T
		125L B		
50	60	102	65	33
65	67	121	80	34
80	73	133	94	44
100	73	171	117	48
125	83	193	145	50
150	98	219	170	52
200	127	276	224	58
250	146	336	265	78
300	181	406	310	74
350	184	448	360	79
400	191	511	410	88
450	203	546	451	98
500	219	603	505	100
600	222	714	624	124



**SUCURSAL**  
CIUDAD DE MÉXICO  
(55) 5715 0712  
(55) 5714 276

**MATRÍZ**  
MONTERREY NUEVO LEÓN  
(81) 8239 0074 / (81) 8239 0075  
(81) 8212 0225 / (81) 8212 0226  
☎(81) 3448 7300 / ☎(81) 3449 8656

**SUCURSAL**  
GUADALAJARA JALISCO  
(33) 3619 2880  
(33) 3650 3319